

WESTWOOD

CRANE SERVICES

Bocker
AK 46/6000

Truck Crane



More information about our fleet can be found on our website.



www.westwoodcranes.co.uk



01922333125



info@westwoodcranes.co.uk

With a payload of up to 6 t, the truck crane AK 46/6000 provides customers with a strong combination of performance, enormous working ranges and surpassing efficiency. Having a maximum extension length of 44 meters, this model surpasses all the other Böcker truck cranes. By assembling a mechanical extension which is easily fixed by two bolts, this crane can even be extended up to a maximum length of 46m.

Having a maximum range of 39 meters with 250 kg or 26 m with 1,000 kg payload, this crane equally impresses by an extremely large working area.

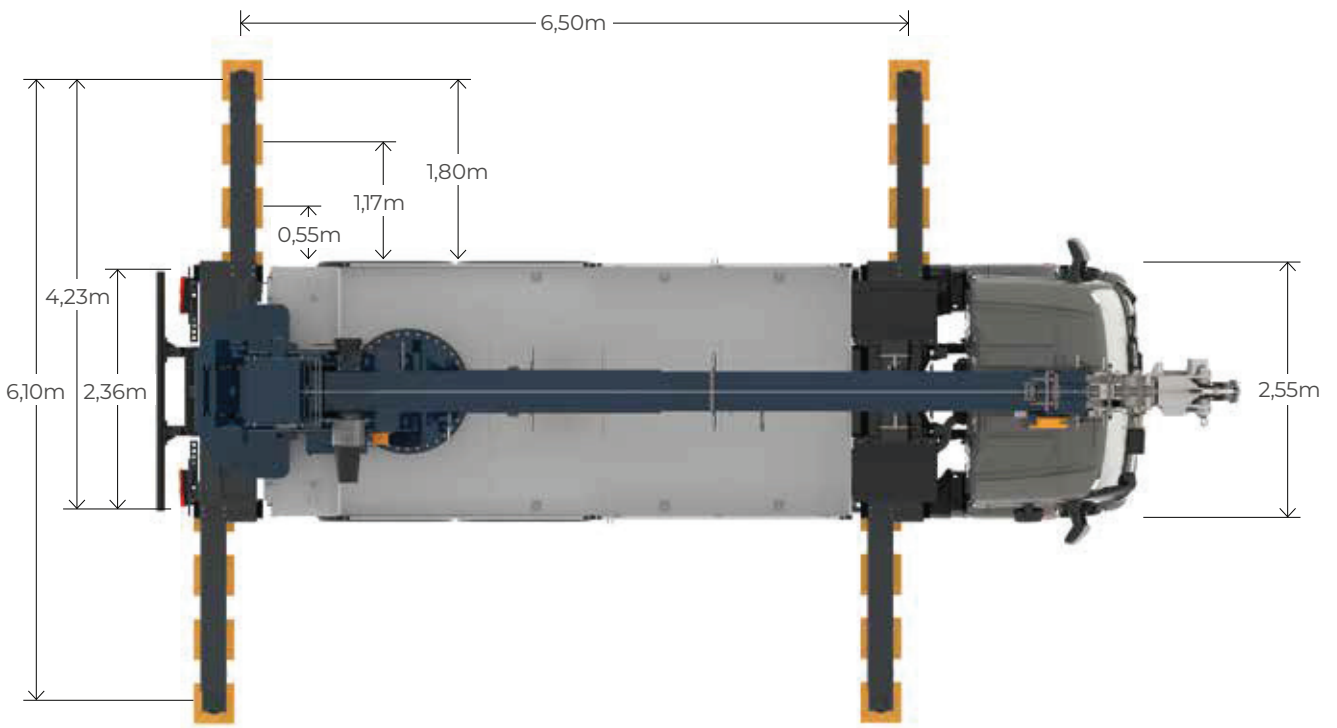
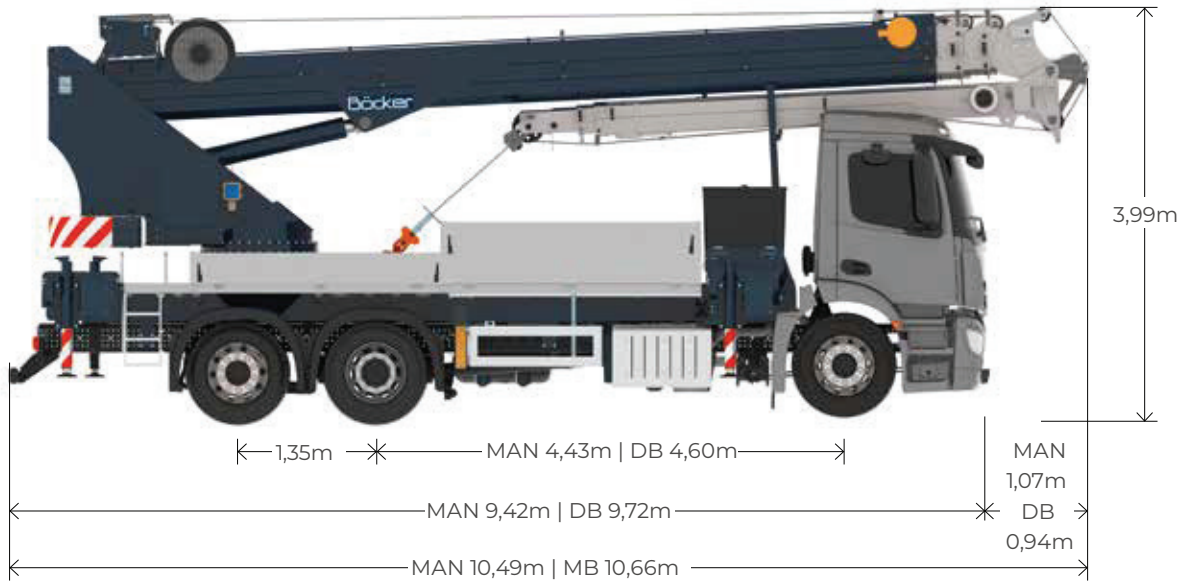


Specifications






Payload max. (kg)	3,000 (opt. 6,000)
Extension length max. (m)	44.00 (opt. 46.00)
Mechanical extension length	33.00
Jib extendible (m)	5.28 / 8,14 / 11.00
Jib payload (kg)	3,000 / 1,500 / 800 / (450)
Main boom angle (degrees)	85
Swivel range (degrees)	+/- 310
Jib angle approx. (degrees)	162
Lifting speed (m/min)	45
Support area L x W max. (m)	6.50 x 6.10
Support area L x W to one side (m)	4.23
Standard Outrigger Pads	600mm x 600mm

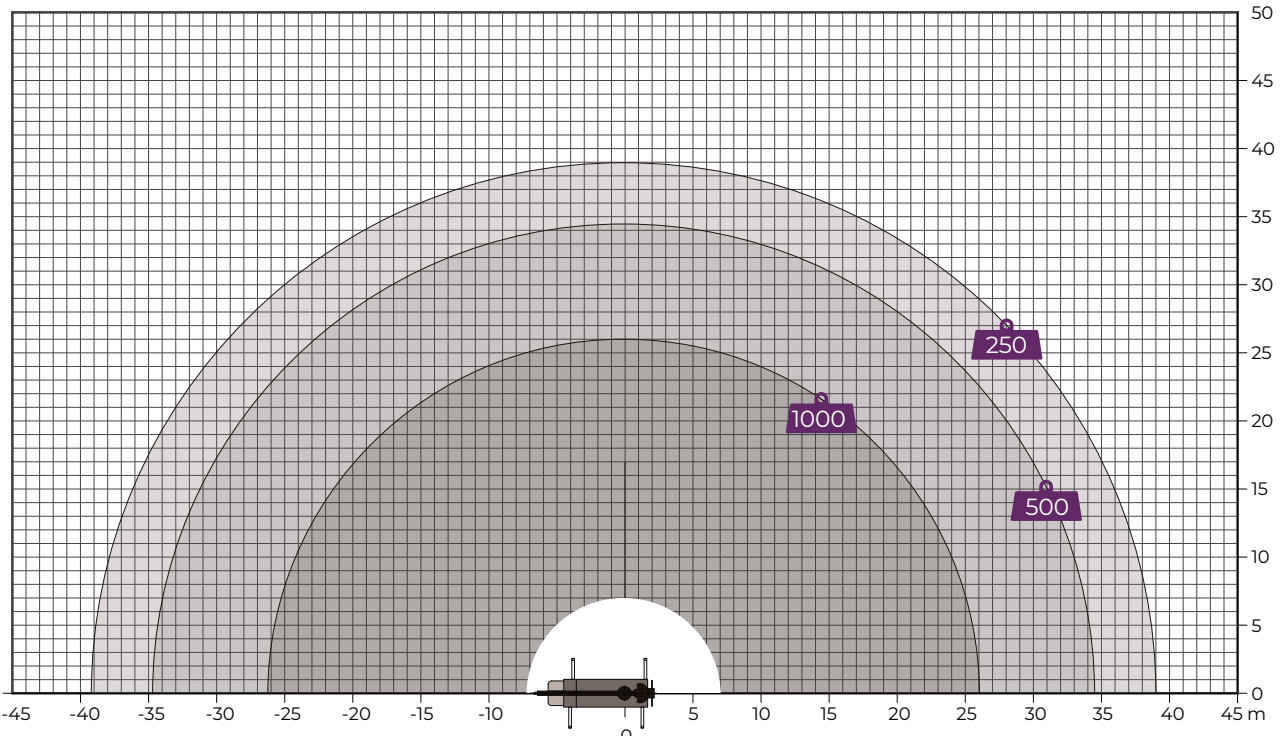
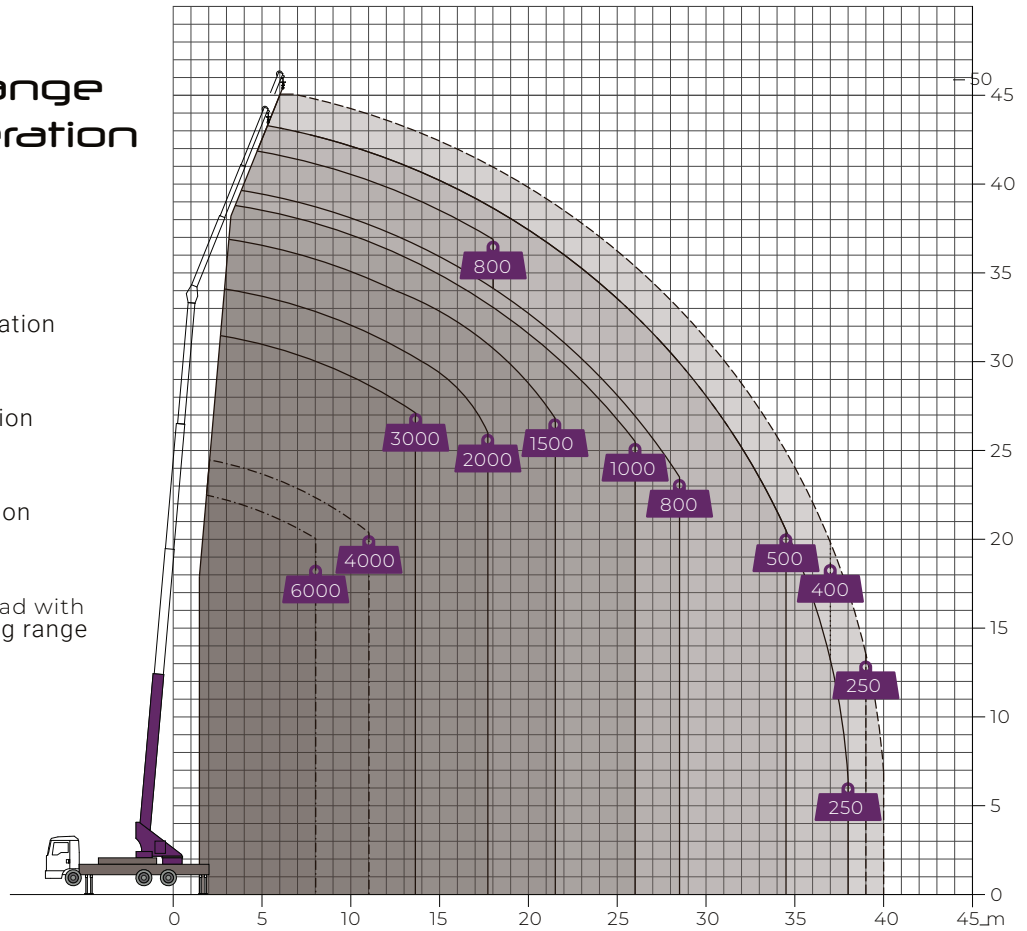


Dimensions



Working range crane operation

-  Load in kg
-  Single-fall operation
-  Two-fall operation
-  With jib-extension (2 m)
-  Increased jib load with reduced working range



All weights are in kg.

Measurements can fluctuate slightly.

